

**UNIVERSITY COLLEGE TATI (UCTATI)****FINAL EXAMINATION QUESTION BOOKLET**

COURSE CODE	: DTD 1013
COURSE	: TECHNICAL DRAWING (AutoCAD)
SEMESTER/SESSION	: 1-2021/2022
DURATION	: 3 HOURS

Instructions:

1. This booklet contains 4 questions. Answer **ALL** questions.
2. All answers should be draw in **AutoCAD software**.
3. Write legibly and draw sketches wherever required.
4. If in doubt, raise your hands and ask the invigilator.

DO NOT OPEN THIS BOOKLET UNTIL YOU ARE TOLD TO DO SO

THIS BOOKLET CONTAINS 5 PRINTED PAGES INCLUDING COVER PAGE

TECHNICAL DRAWING (DTD 1013)

Instruction:

Please ensure that all the answers to be save separately according to the question number and allocate into a folder at Desktop. The folder name: **21A03XXXX_DTD 1013**.
All units in mm.

QUESTION 1

- a) **Define** the meaning of orthographic projection for engineering drawing.
(5 marks)
- b) **Explain** the important of drawing scale.
(3 marks)
- c) **State** the meaning of lines below:
- i. Visible line
 - ii. Hidden line
 - iii. Centre line
- (6 marks)
- d) **State** the purpose of *drawing standard* according to the international standards.
(3 marks)
- e) **Differentiate** parallel projection and perspective projection.
(4 marks)

QUESTION 2

Draw the following object Figure 1 in AutoCAD:

- a) Object line (16 marks)
- b) Construction line (3 marks)
- c) Dimensioning (5 marks)
- d) Layers (2 marks)

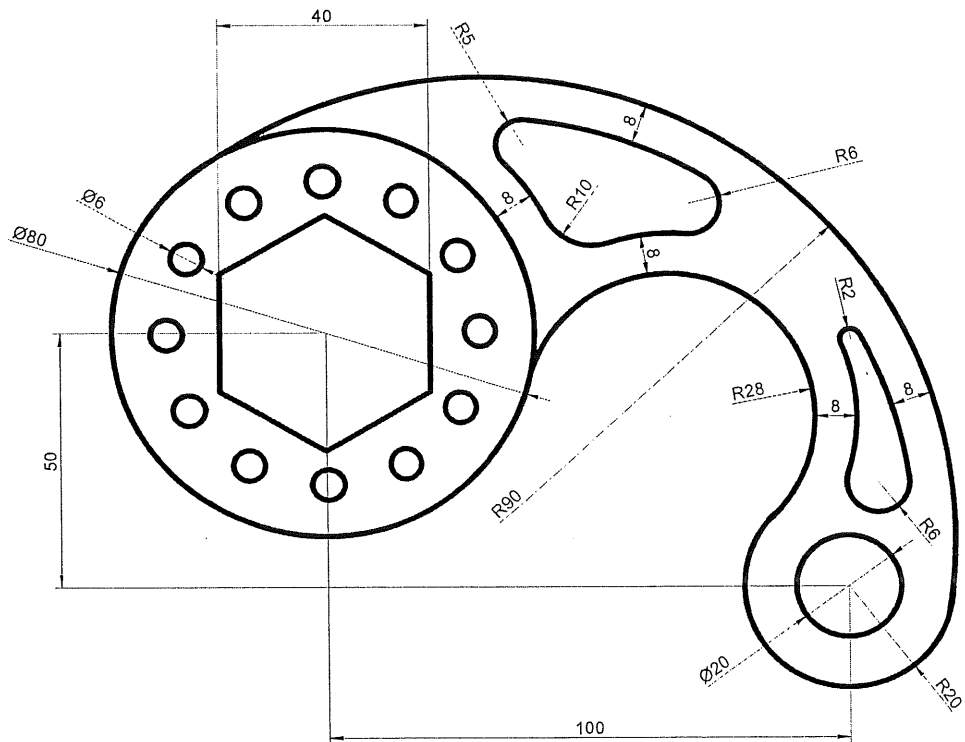


Figure 1

QUESTION 3

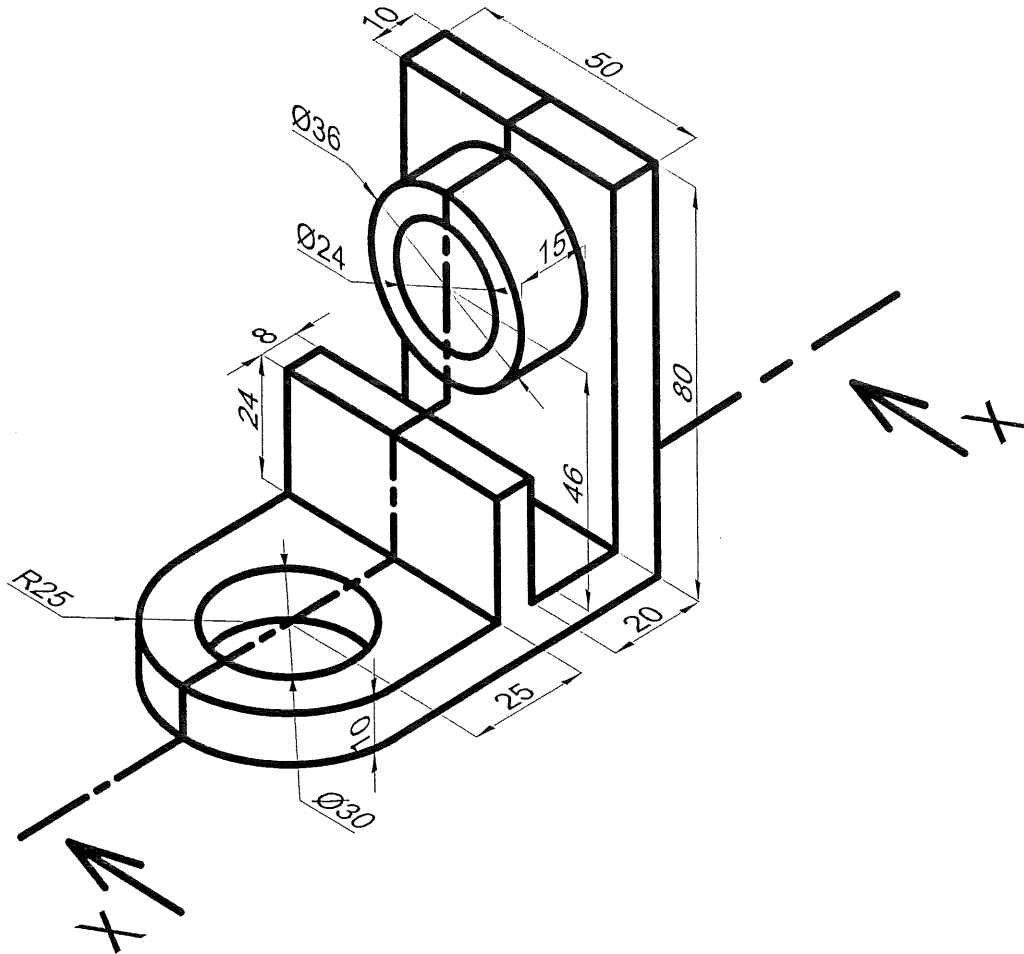
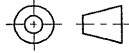


Figure 2

Figure 2 shows the isometric view of a part. **Create** an orthographic projection of following object in three standard views according  Projection standard;

- | | | |
|----|--------------------------|-------------|
| a) | Front sectional view X-X | (10 marks) |
| b) | Top view | (9 marks) |
| c) | Side view | (8 marks) |
| d) | Dimension | (5 marks) |

